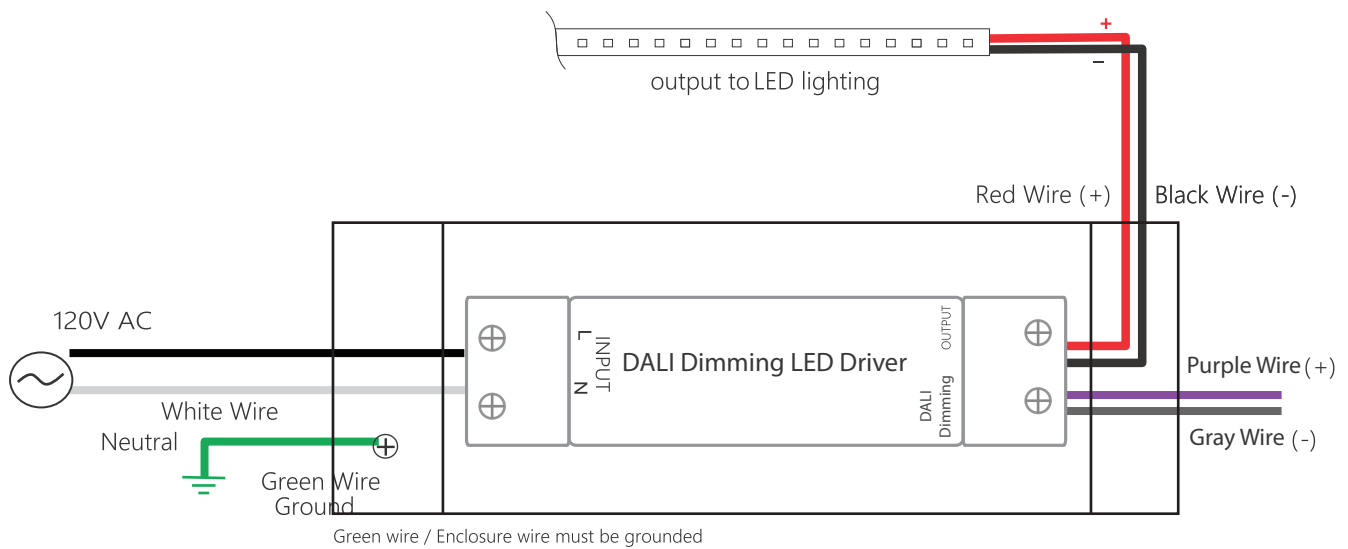


DALI Dimming LED Driver



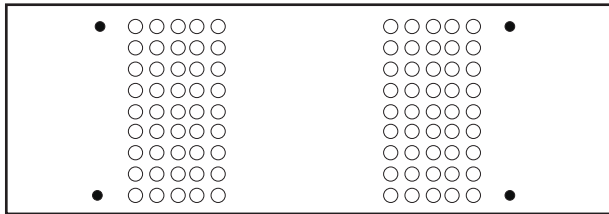
SAFETY INSTRUCTION AND WARNING

- Installation should only be conducted by a qualified electrician in accordance with NEC and any relevant local building codes.
- Risk of fire or electric shock. Fixture installation requires knowledge of luminaires electrical systems.
- Be certain electrical power is OFF before and during installation and maintenance.
- Make sure the supply voltage is the same as the rated luminaire fixture voltage,
- Wear gloves and safety glasses at all times.



Installation

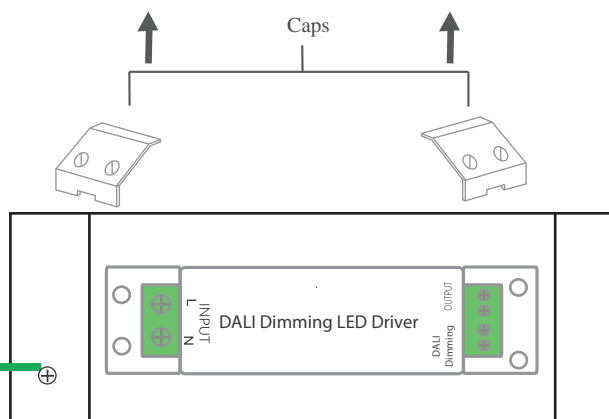
1



Step 1.

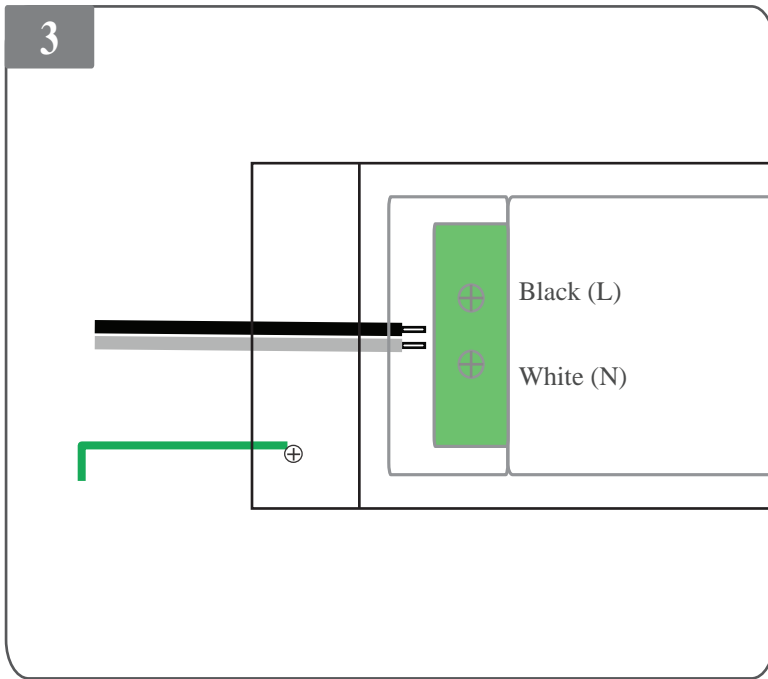
Unscrew and remove the enclosure's cover and remove knockouts for input and output.

2



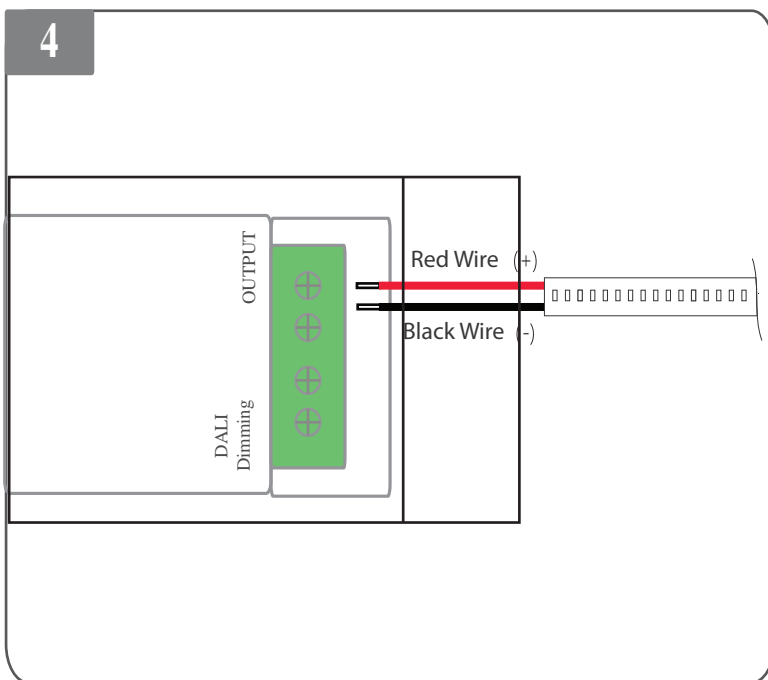
Step 2.

Remove the caps on the drivers to be able to see the green color terminals.



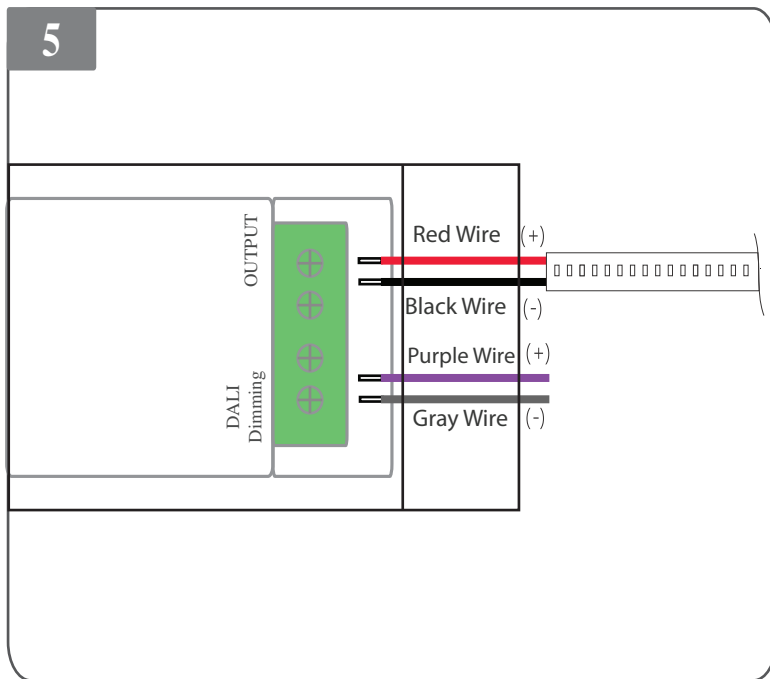
Step 3.

Insert the Black wire (Line) and White wire (Neutral) from the panel into the driver and secure the screw.



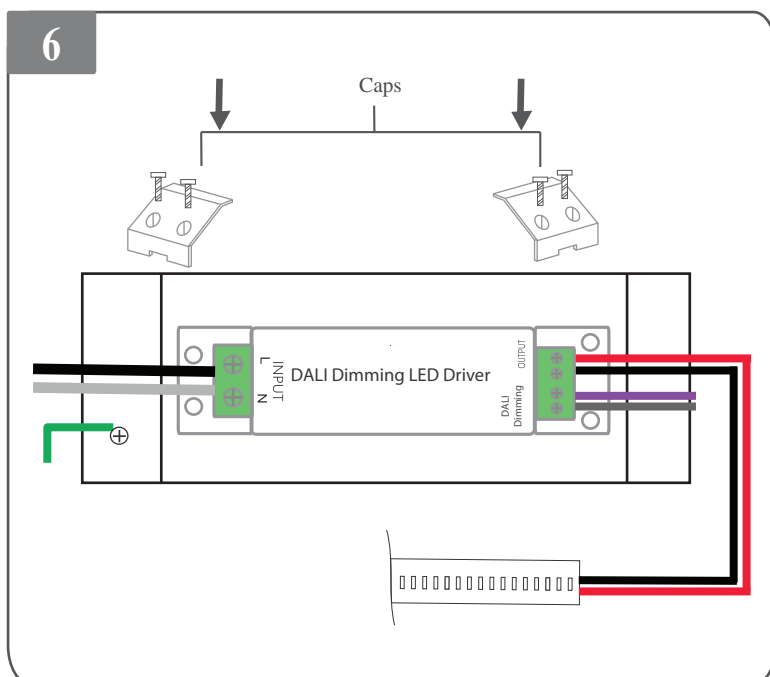
Step 4.

Fasten the wires from the LED strip into the output.



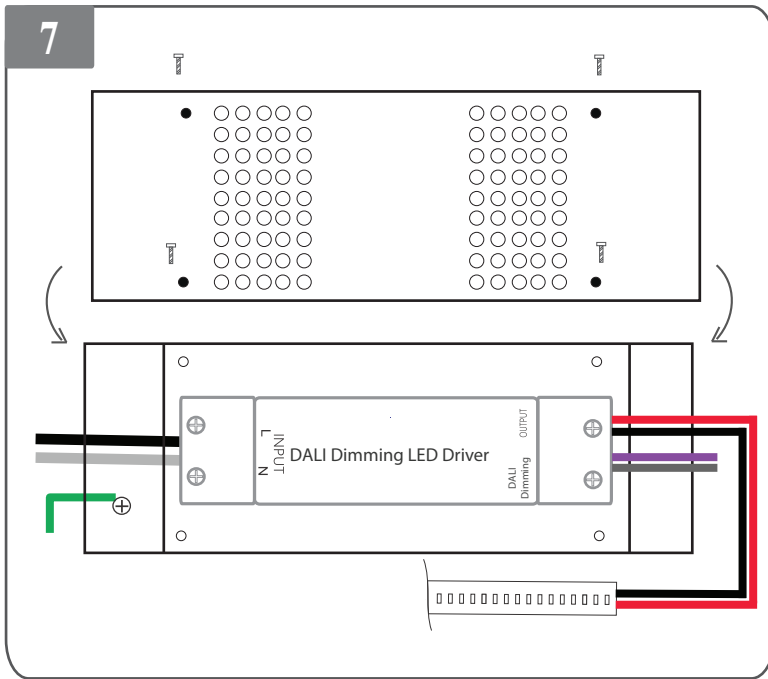
Step 5.

Insert the wires from DALI dimming controller into the driver and secure the screw.



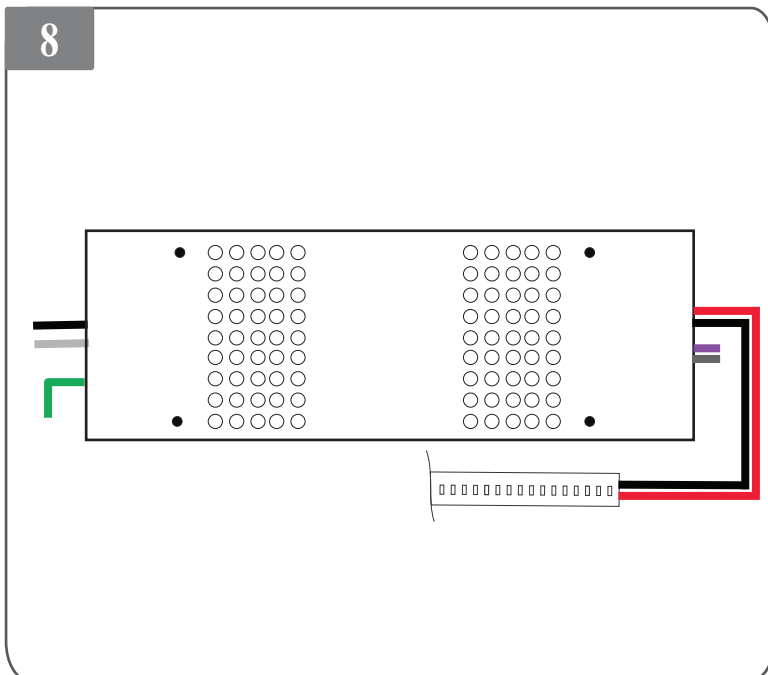
Step 6.

Fasten the caps on the driver



Step 7.

Replace and screw down the enclosure's cover.



Step 8.

Finished !