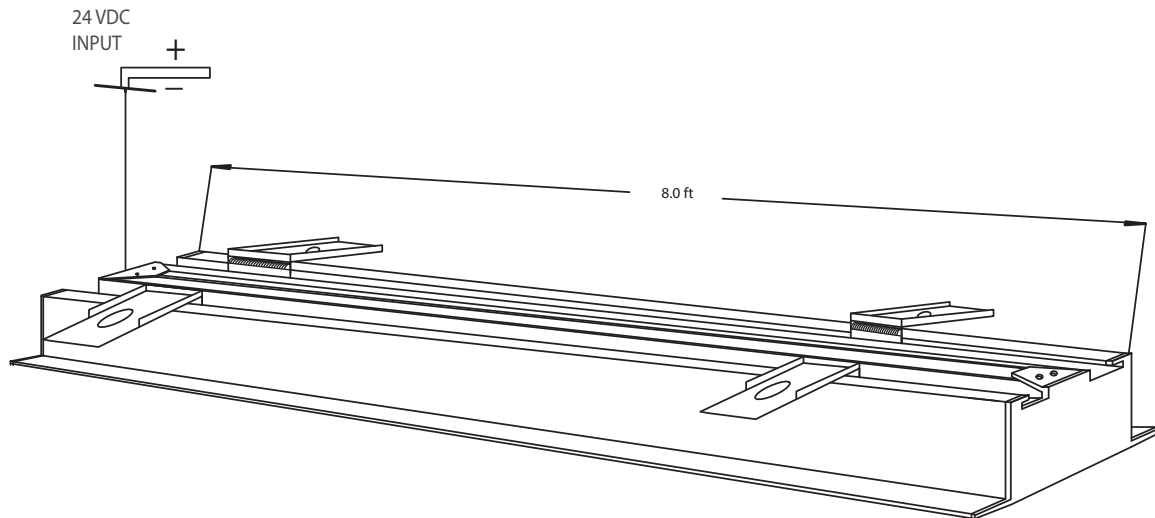
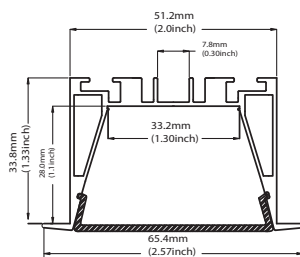


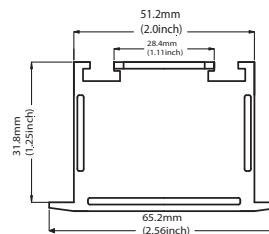
## SLC-065R Recessed mount Aluminum Extrusion



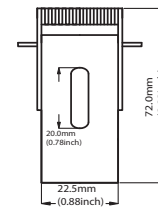
**Channel**



**Endcaps**



**Mounting Clips**

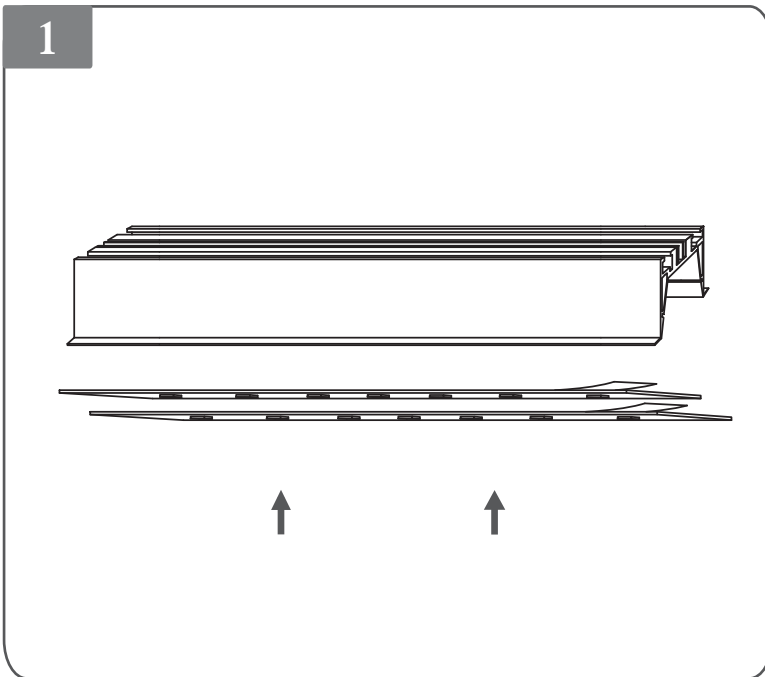


### SAFETY INSTRUCTION AND WARNING

- Installation should only be conducted by a qualified electrician in accordance with NEC and any relevant local building codes.
- Risk of fire or electric shock. Fixture installation requires knowledge of luminaires electrical systems.
- Be certain electrical power is OFF before and during installation and maintenance.
- Make sure the supply voltage is the same as the rated luminaire fixture voltage,
- Wear gloves and safety glasses at all times.

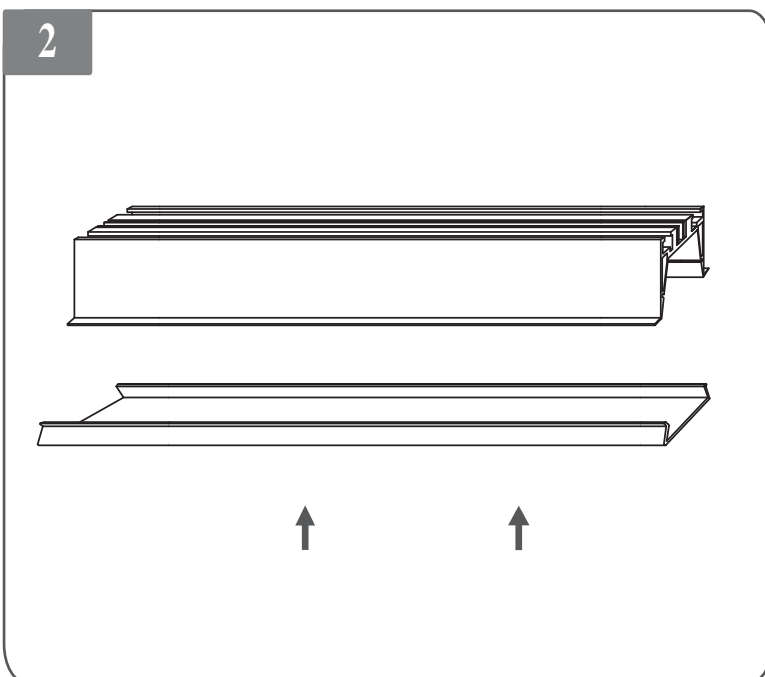


## Installation



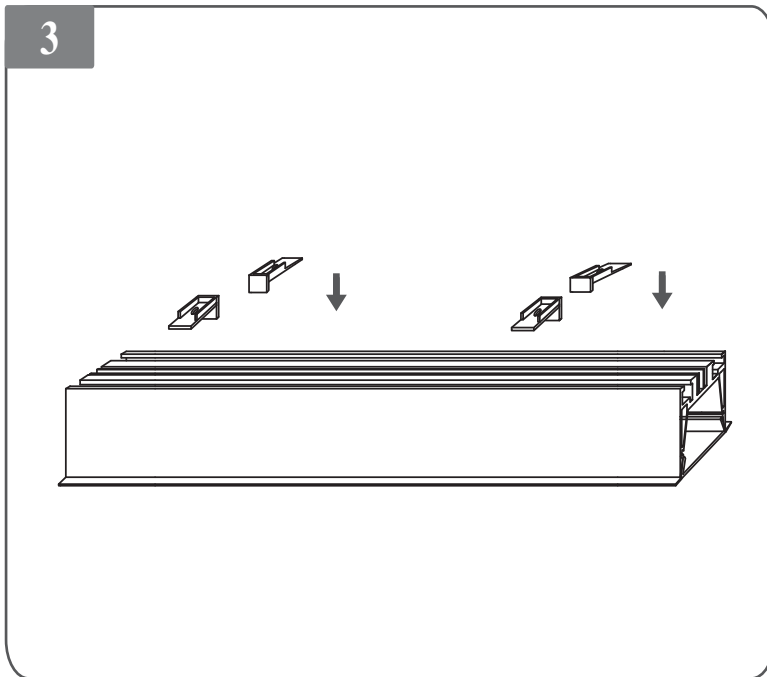
### Step 1.

Determine how much ribbon will be required for the run length you want to do and adjust the size as necessary. Then peel off 3M double sided tape and stick to the inside of the channel. For dual run of LED's make sure to properly space them so both will fit side by side. Slide the power cable out the back or side.



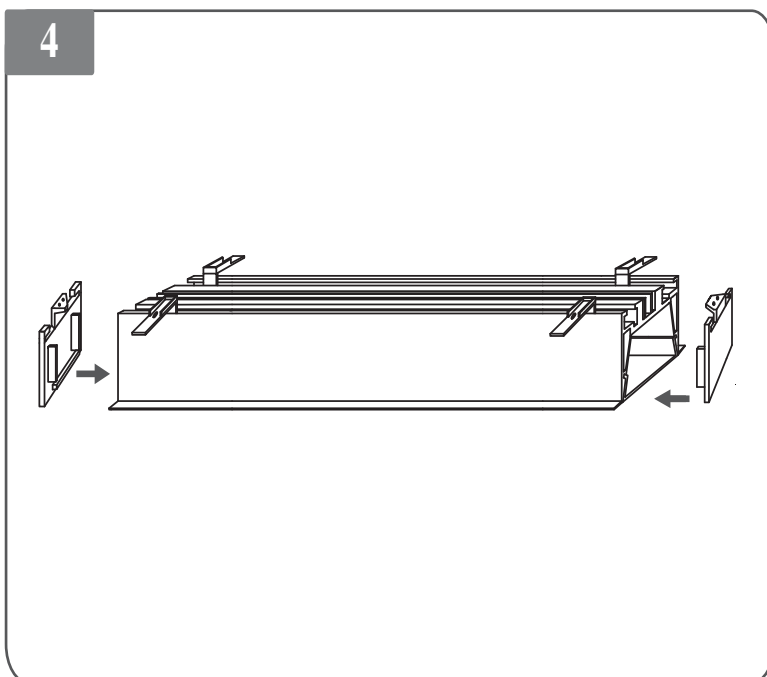
### Step 2.

Next install the lens by snapping it into place. The lens should click in easy and is not required to slide from the sides.



### Step 3.

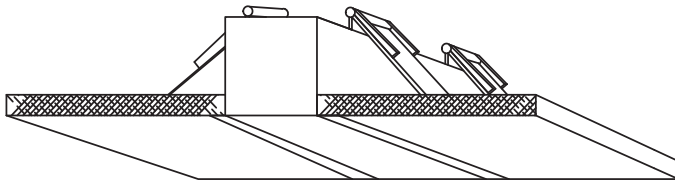
Next install the required amount of recessed spring clips (recommend 2 on each side for every 4'). To install slide from each end to desired location and screw the hex screw down to tighten and lock the clip to the channel. Each set of clips contains a hex bit.



### Step 4.

After the recess mounting clips are in place and tightened down slide the end caps onto each end and using the screws provided, tighten the end cap down to the channel. Each end cap comes with two screws which fasten from the top on either side of the end cap.

5



### Step 5.

Bend the spring clips up and slide the fixture into place, release and make sure the wings grabbed onto the drywall or wood surface.