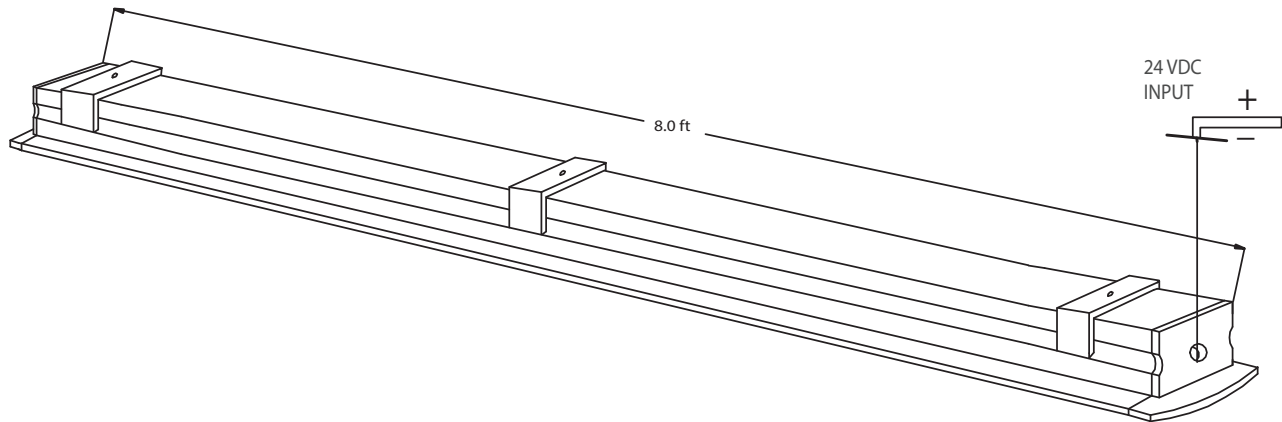
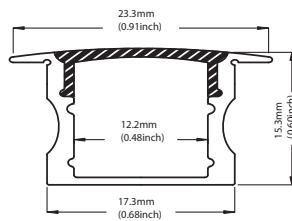


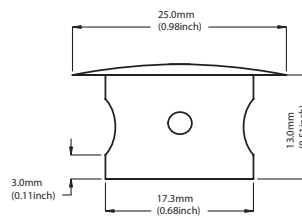
## SLC-003R Recessed, Anodized Aluminum Channel



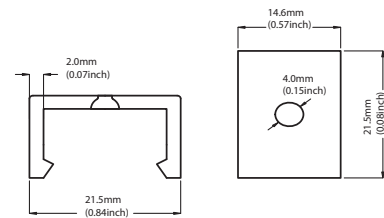
**Channel**



**Endcaps**



**Mounting Clips**

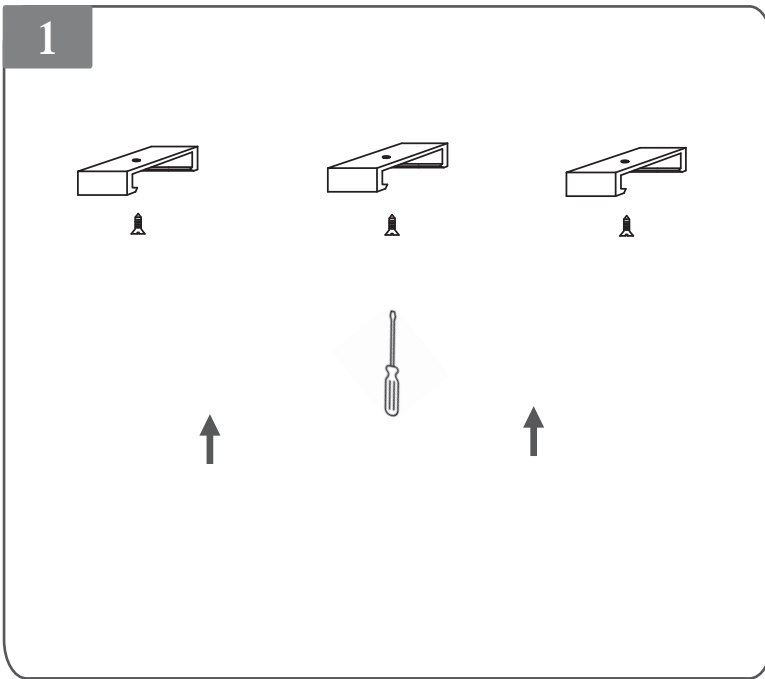


### SAFETY INSTRUCTION AND WARNING

- Installation should only be conducted by a qualified electrician in accordance with NEC and any relevant local building codes.
- Risk of fire or electric shock. Fixture installation requires knowledge of luminaires electrical systems.
- Be certain electrical power is OFF before and during installation and maintenance.
- Make sure the supply voltage is the same as the rated luminaire fixture voltage,
- Wear gloves and safety glasses at all times.

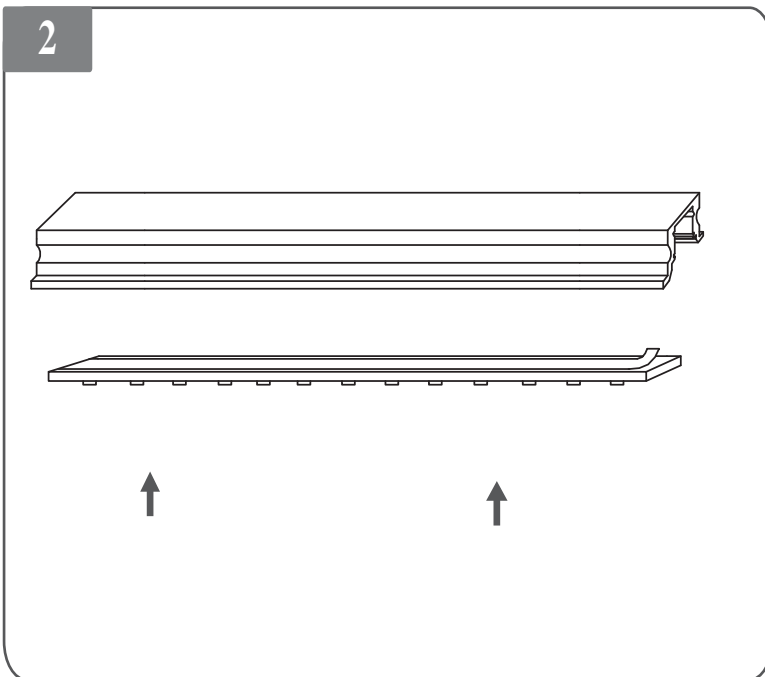


## Installation



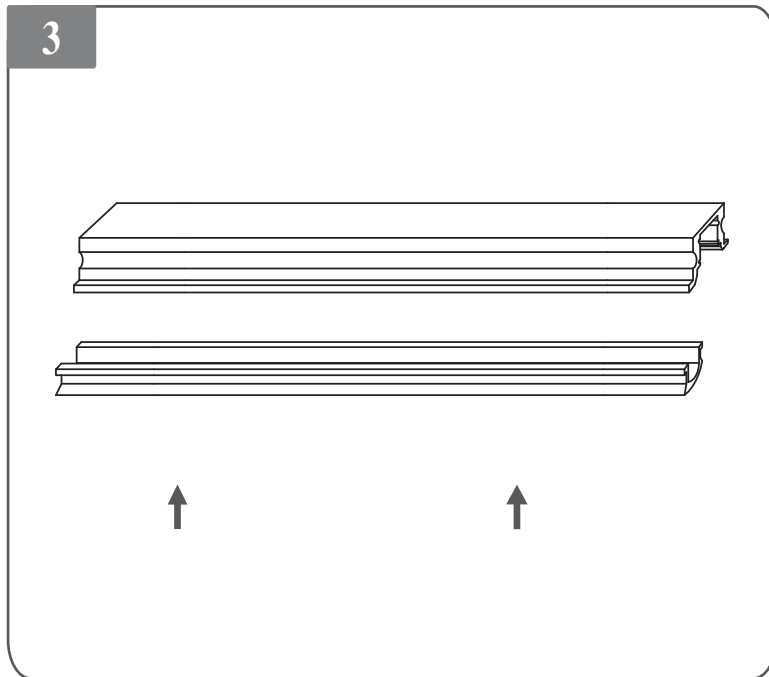
### Step 1.

Fasten the mounting clips to the desired surface and making sure they are in a straight line and will line up for easier install.



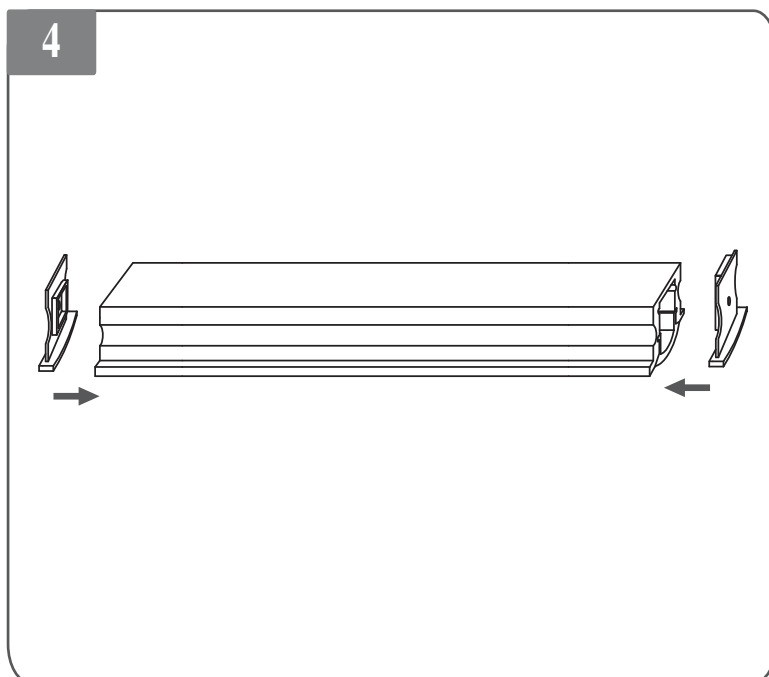
### Step 2.

Determine how much ribbon will be required for the run length you want to do and adjust the size as necessary. then peel off the 3M double sided tape and stick to the inside of the channel.



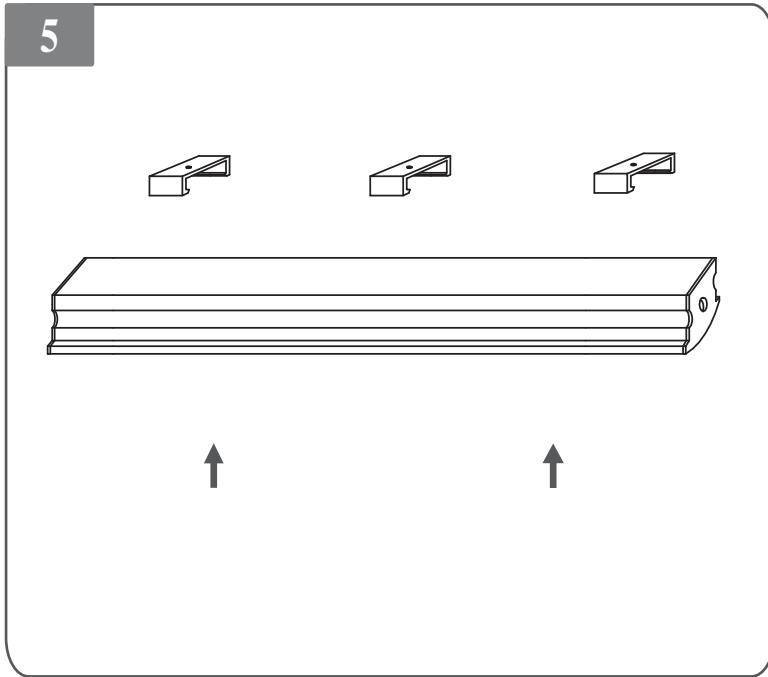
**Step 3.**

Install the lens by snapping it into place. The lens should click in easy and is not required to slide from the sides.



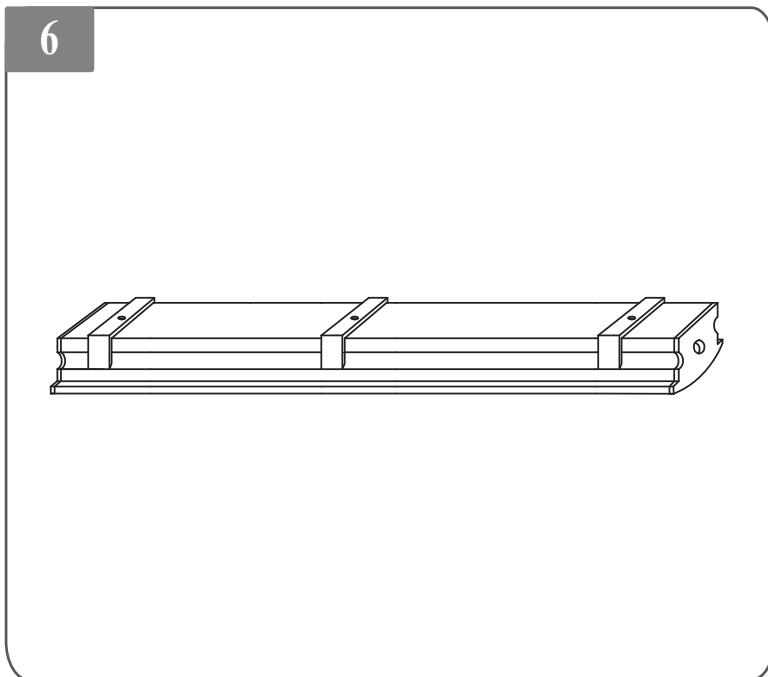
**Step 4.**

Attach the endcaps into the channel.



**Step 5.**

Snap the finished fixture into the ceiling mounting clips.



**Step 6.**

Finished.