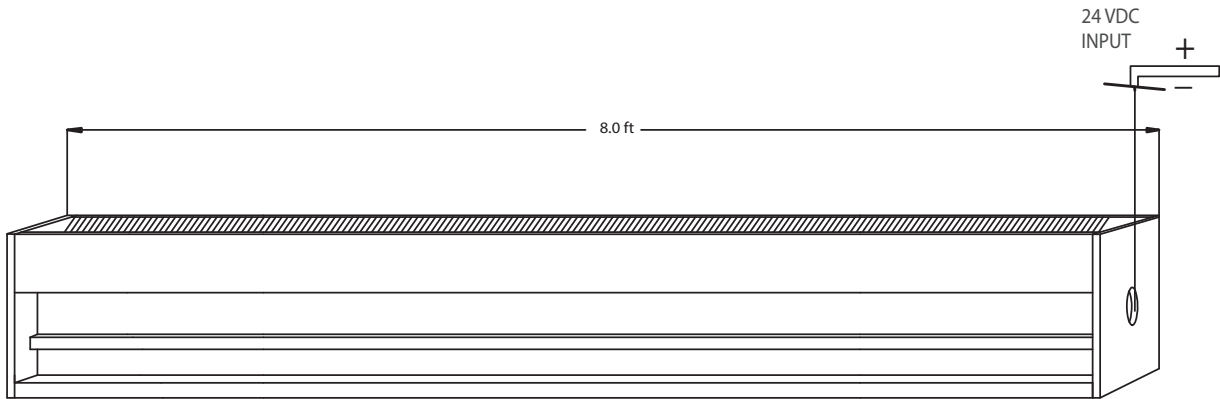
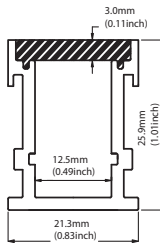


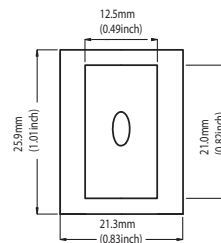
SLC-034R In-floor Anodized Aluminum Channel



Channel



End Caps

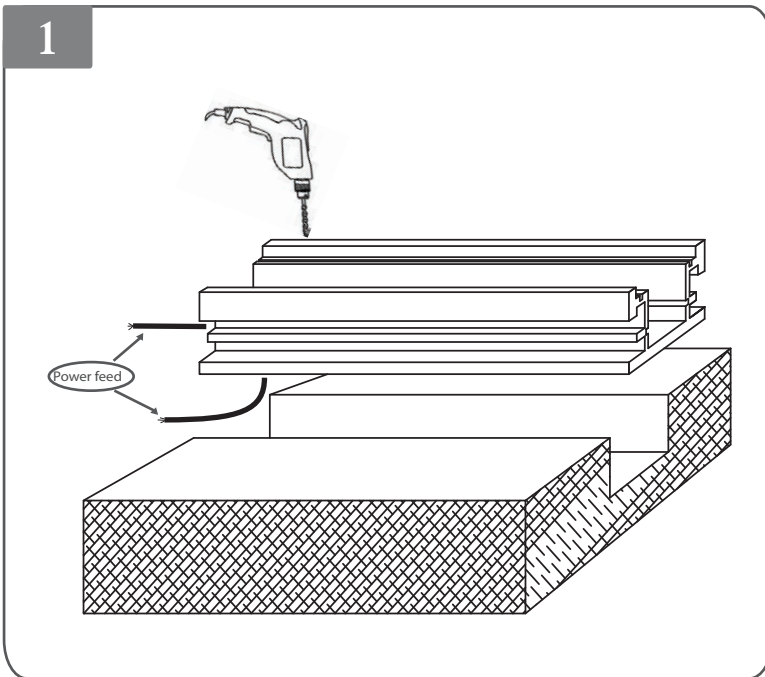


SAFETY INSTRUCTION AND WARNING

- Installation should only be conducted by a qualified electrician in accordance with NEC and any relevant local building codes.
- Risk of fire or electric shock. Fixture installation requires knowledge of luminaires electrical systems.
- Be certain electrical power is OFF before and during installation and maintenance.
- Make sure the supply voltage is the same as the rated luminaire fixture voltage,
- Wear gloves and safety glasses at all times.

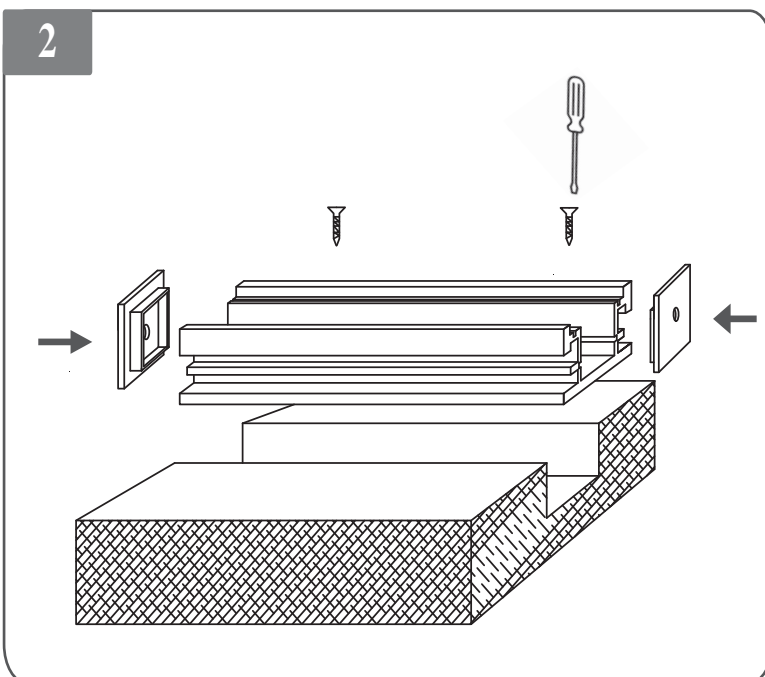


Installation



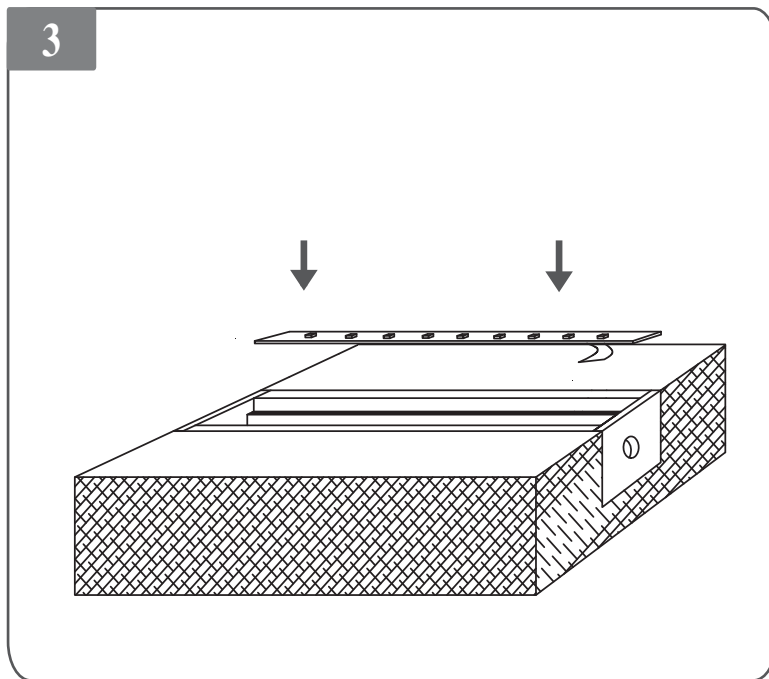
Step 1.

For Power feed to come out of the bottom pre drill the hole in the channel, prior to installation. If you want the power feed out the side use the end cap with a hole that is provided.



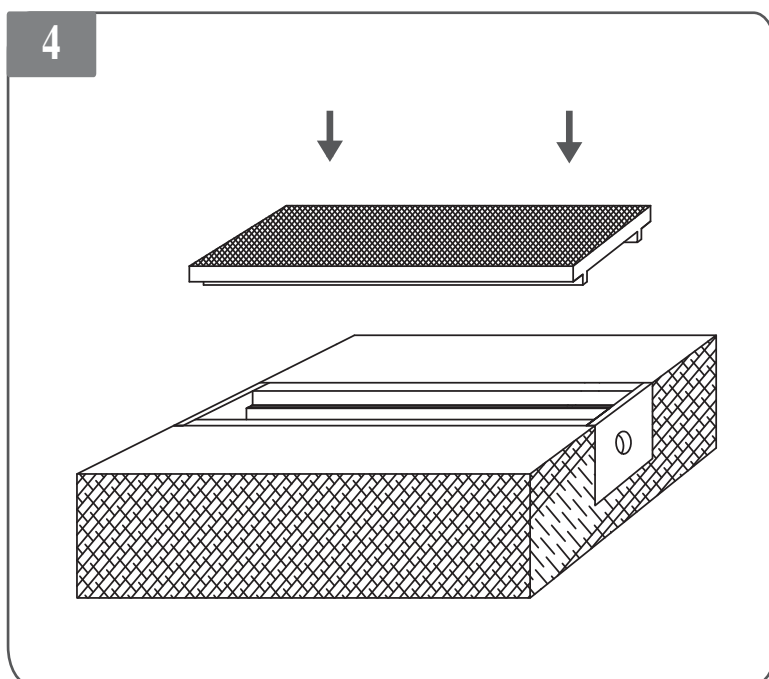
Step 2.

Attach the end caps and fasten the channel inside the recessed opening of your floor using screws.



Step 3.

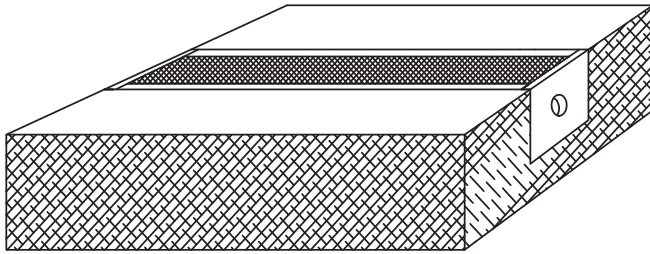
Gently lay the ribbon in place, if using indoor ribbon peel the 3M double sided tape off the back and fasten to the inside of the channel. If using exterior rated ribbon we recommend siliconing it into place.



Step 4.

Finally drop the lens into place. Make sure to press firmly along the entire length of the lens to make sure it clicks into the grooves of the channel. If required you can use a rubber mallet and hammer the lens firmly into place. The lens will not break with the force.

5



Step 5.
Finished.