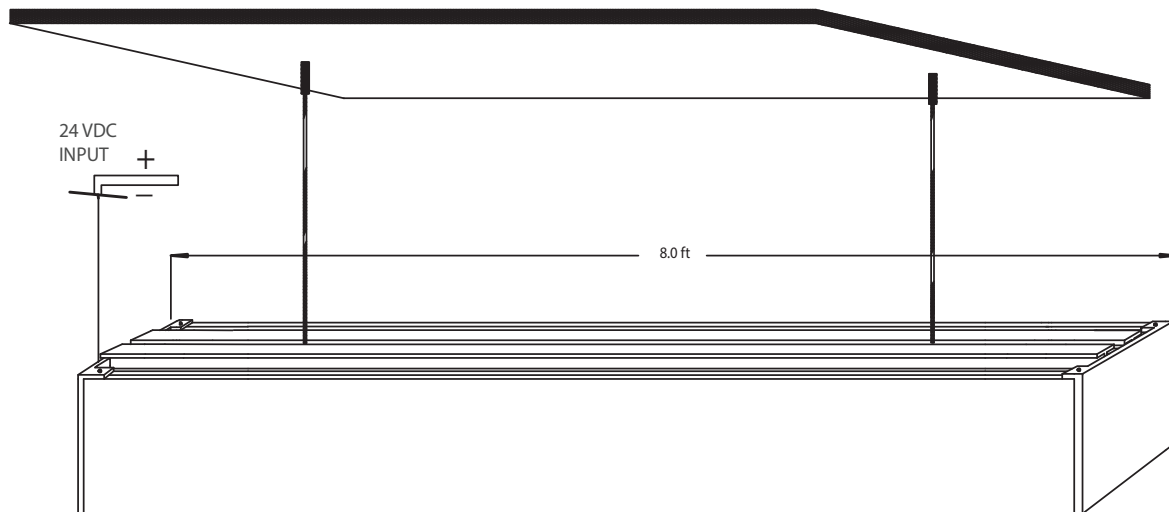
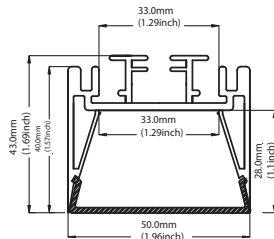


SLC-050SP

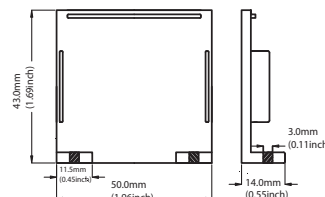
Surface/Pendant mount Aluminum Extrusion



Channel



Endcaps

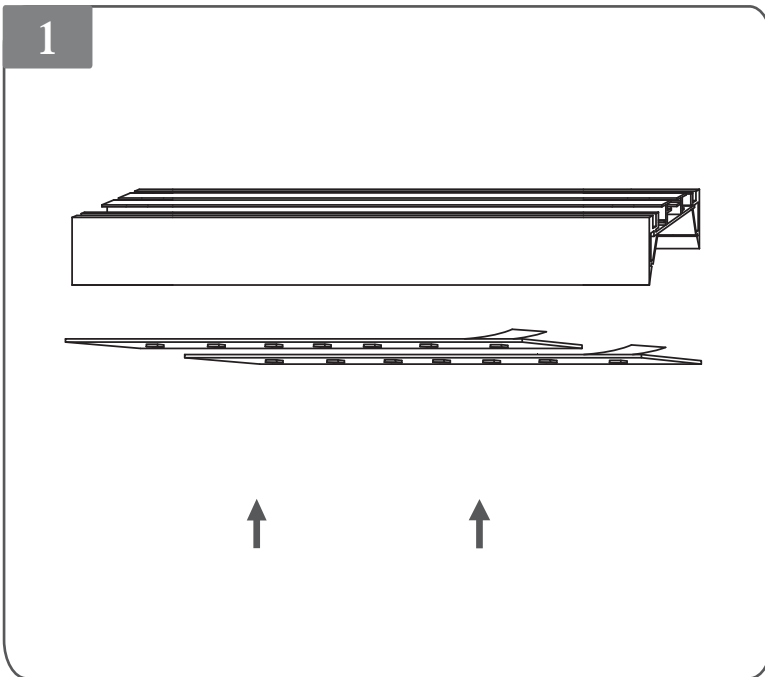


SAFETY INSTRUCTION AND WARNING

- Installation should only be conducted by a qualified electrician in accordance with NEC and any relevant local building codes.
- Risk of fire or electric shock. Fixture installation requires knowledge of luminaires electrical systems.
- Be certain electrical power is OFF before and during installation and maintenance.
- Make sure the supply voltage is the same as the rated luminaire fixture voltage,
- Wear gloves and safety glasses at all times.

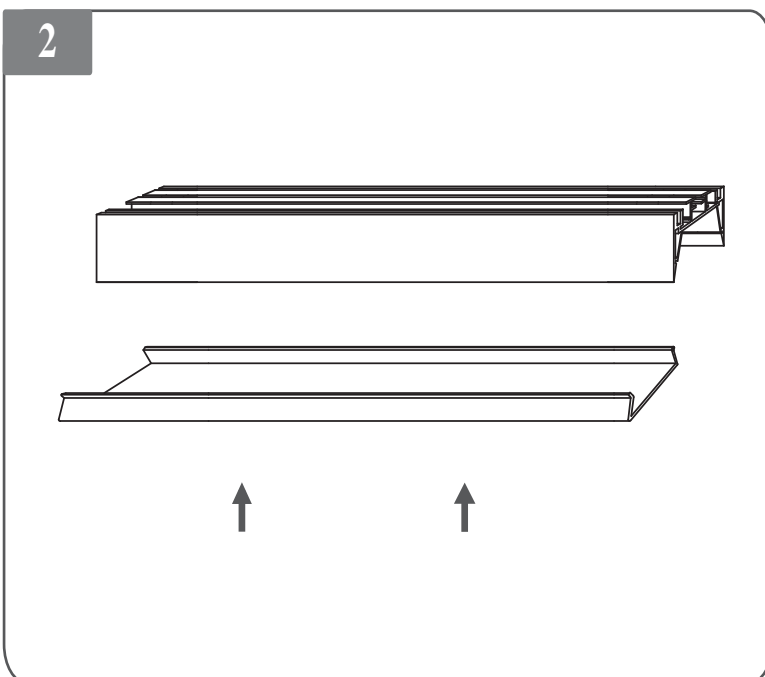


Installation (Pendant mounting clips)



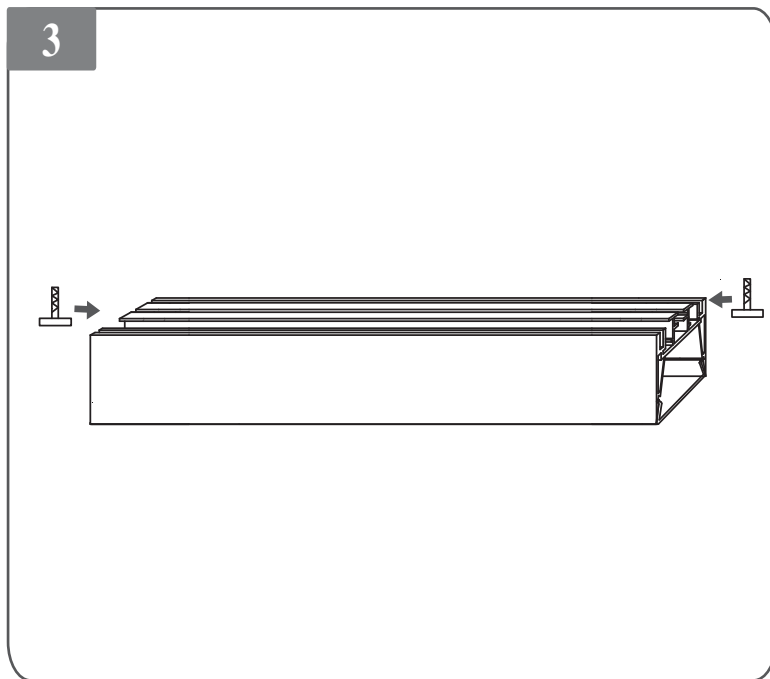
Step 1.

Determine how much ribbon will be required for run length you want to do and adjust the size as necessary. Then peel off 3M double sided tape and stick to the inside of the channel. For dual run of LED's make sure to properly space them so both will fit side by side. Slide the power cable out the back or side.



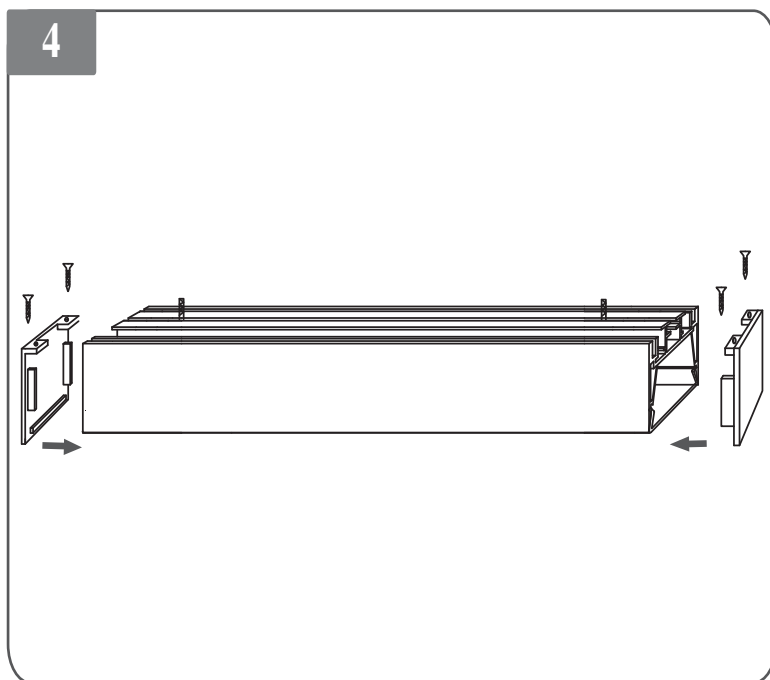
Step 2.

Next install the lens by snapping it into place. The lens should click in easily and is not required to slide from the sides.



Step 3.

Slide the provided connector for the suspended cable part in the middle of the channel.



Step 4.

Slide the end caps onto each end and using the provided screws, tighten the end caps down to the channel. Each end cap comes with two screws which fasten from the top on either side of the end cap.

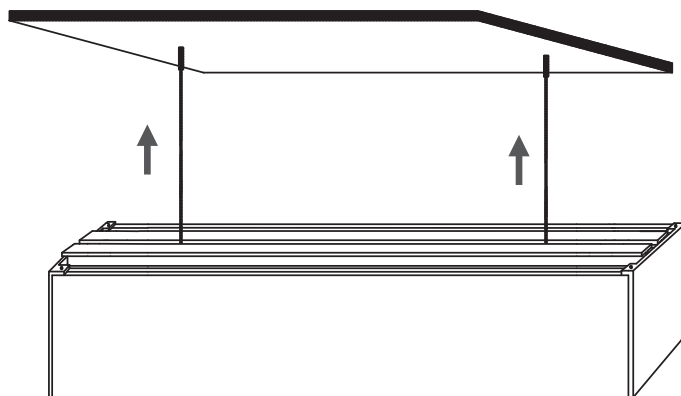
5



Step 5.

Screw the suspended cables into the provided connector which is in the channel from step 3.

6



Step 6.

Fasten the suspended cables to the desired surface.