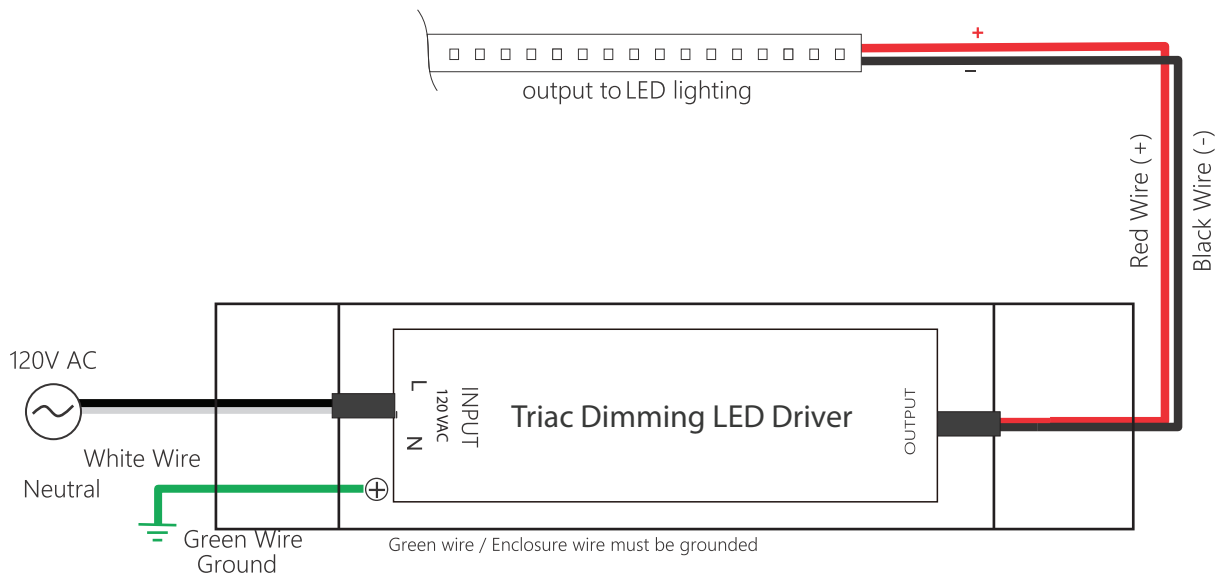


## Triac Dimming LED Driver



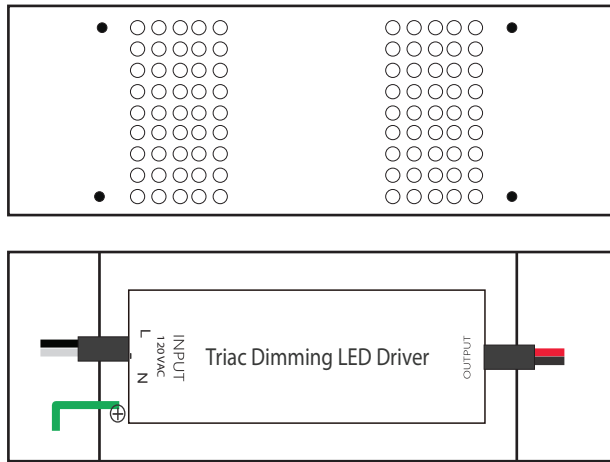
### SAFETY INSTRUCTION AND WARNING

- Installation should only be conducted by a qualified electrician in accordance with NEC and any relevant local building codes.
- Risk of fire or electric shock. Fixture installation requires knowledge of luminaires electrical systems.
- Be certain electrical power is OFF before and during installation and maintenance.
- Make sure the supply voltage is the same as the rated luminaire fixture voltage,
- Wear gloves and safety glasses at all times.



## Installation

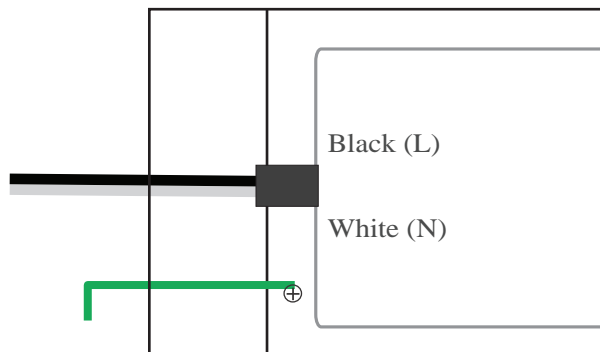
1



### Step 1.

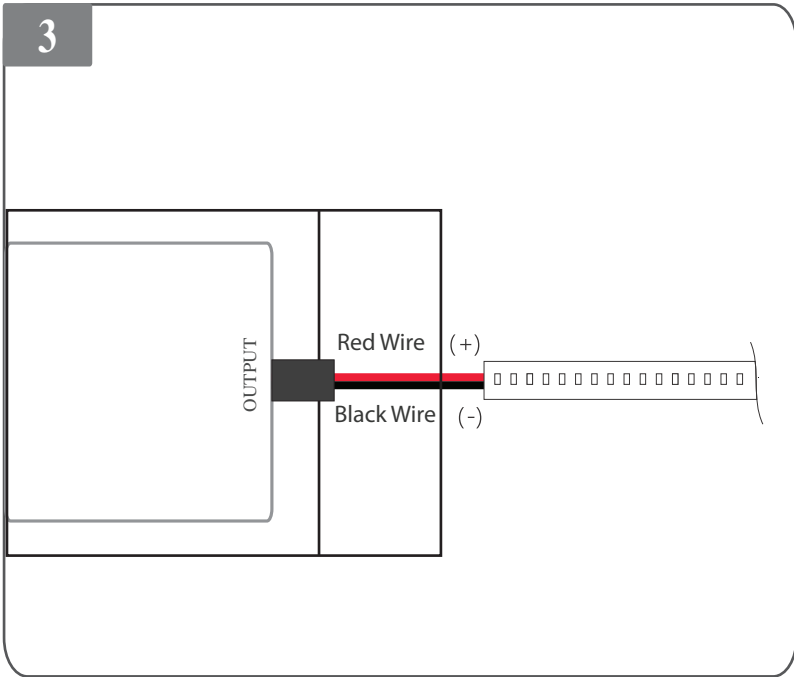
Unscrew and remove the enclosure's cover and remove knockouts for input and output.

2



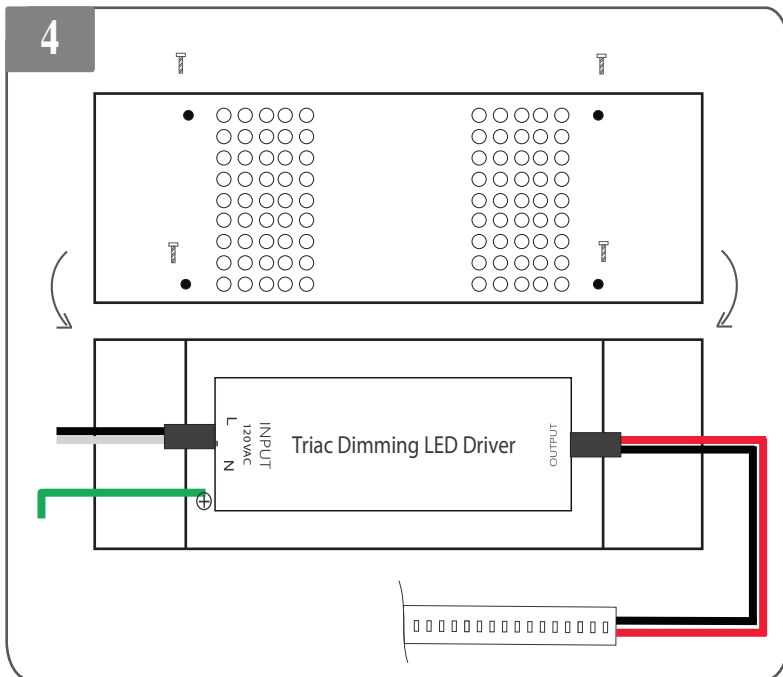
### Step 2.

Splice 120V wires from the panel into the driver.



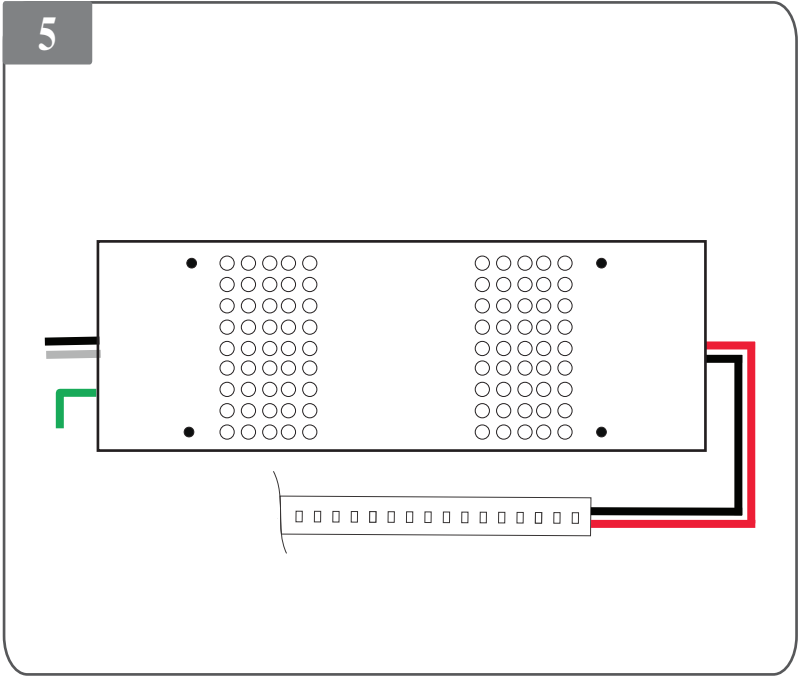
**Step 3.**

Use Red and Black wires from output to attach to the LED strip.



**Step 4.**

Install and Screw down the enclosure's cover.



**Step 5.**  
Finished !