

Wooden Ceiling Kit



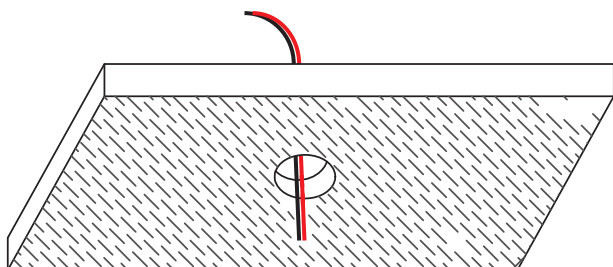
SAFETY INSTRUCTION AND WARNING

- Installation should only be conducted by a qualified electrician in accordance with NEC and any relevant local building codes.
- Risk of fire or electric shock. Fixture installation requires knowledge of luminaries electrical systems.
- Be certain electrical power is OFF before and during installation and maintenance.
- Make sure the supply voltage is the same as the rated luminaire fixture voltage,
- Wear gloves and safety glasses at all times.



Installation

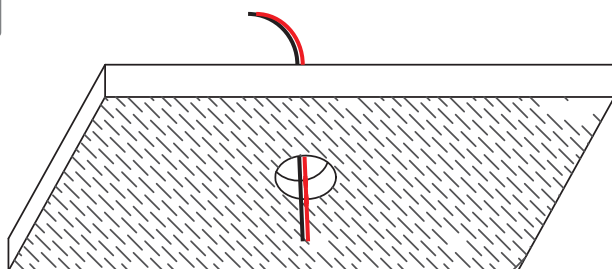
1



Step 1.

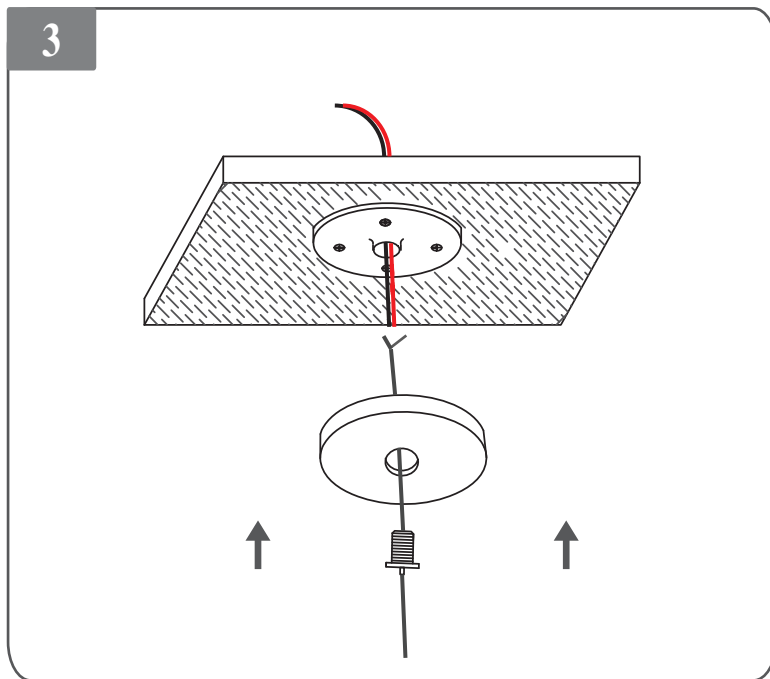
Make sure the hole on the wooden Ceiling is between 10mm to 15mm.

2



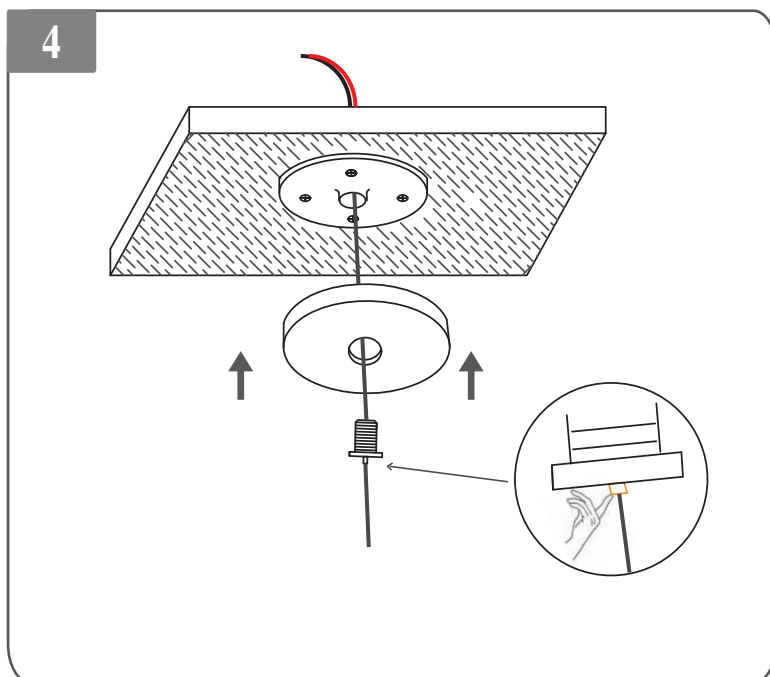
Step 2.

Use four Screws to screw the circle mounting on the surface. Make sure to line up the Surface's hole and mounting's hole.



Step 3.

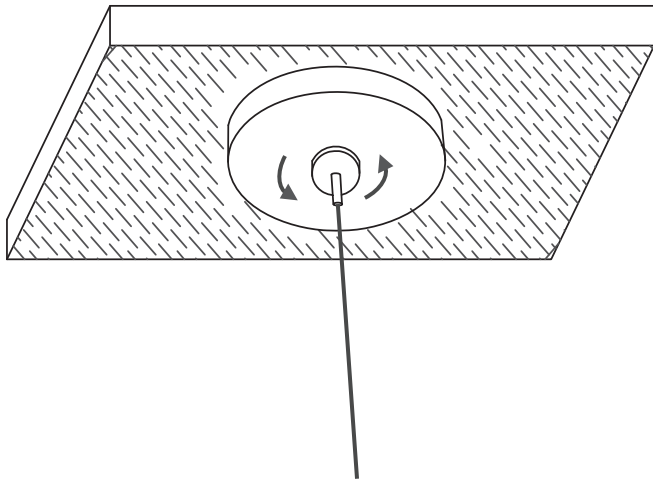
Insert the Suspension Power Cable into the Gripper.



Step 4.

Put the 2" canopy on the circle mounting and screw the gripper into it. (Push the tip of the gripper in as shown, then move the gripper up.)

3



Step 5.

Fasten the screw to make sure that the kit is firmly attached to the surface.